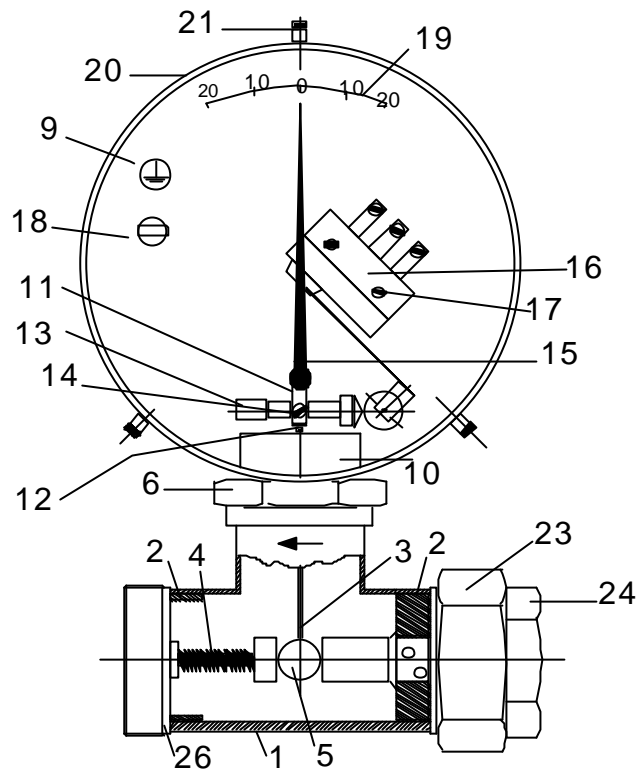


Designation Flow - Indicator

Typ HDK



Item	Designation	Materials
1	Housing, T- Shaped	Red bronze nickelpl.
2	Spool bearing screw in parts	Brass chr. Plated
3	Spool with pilot pins	Brass chr. Plated
4	Compression spring	Stainless steel
5	Switch control shaft	Rolled bronze chr.
6	Reducing nipple	Brass nickelpl.
7	H- leathering seal	Buna N
8	Supporting ring with slotted nut	Brass nickelpl.
9	Switch housing 100 mm diam.	stainless Steel
10	Switch retaining nut M 20 x 1,5	Brass nickelpl.
11	Cross nut	Brass nickelpl.
12	Lock nut	Brass nickelpl.
13	Hexagonal- kontakt- regulating screw	Brass nickelpl.
14	Cord- screw	Brass nickelpl.
15	Pointer shaft with pointer	Plastic
16	Micro- changeover- switch 220V 15A	
17	securing screws M3	Brass nickelpl.
18	Earthing screw	Brass nickelpl.
19	glass disc with scale	PVC plastic
20	Bezel	Brass chr. Plated
21	Retaining screws with cord M3	Brass nickelpl.
22	Cable gland Pg 11	Brass nickelpl.
23	Union nut, malleable casting	galvanized
24	Insert R 3/8" - R2"	galvanized
25	Rubber seals 2ea	oil- resistant
26	O- ring 2ea	oil- resistant