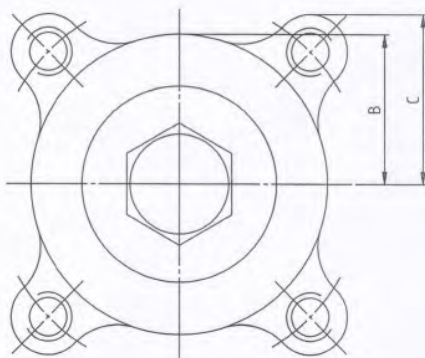
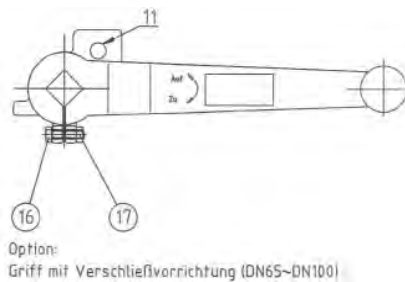
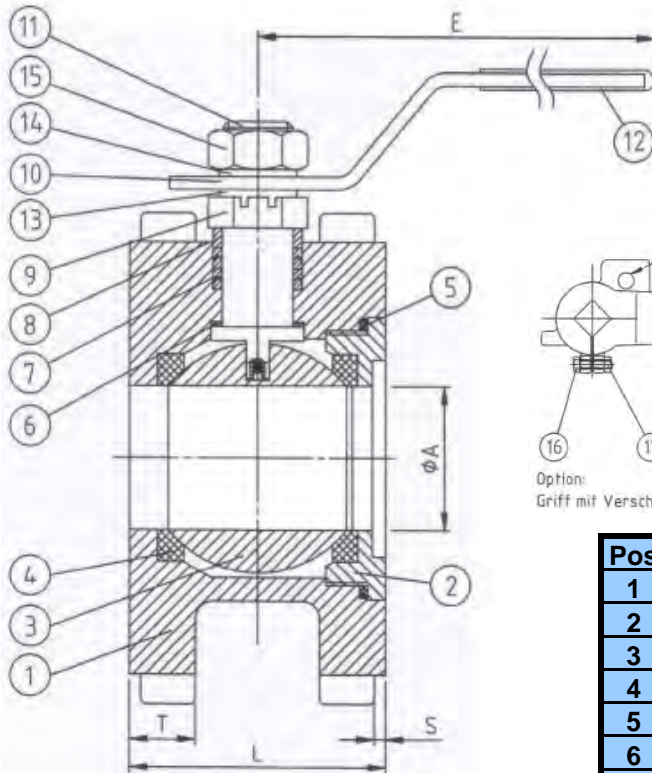


# Ball valve Wafer-type Stainless steel

Typ KL- 160F

**Compact Ball valve, flanged, full bore  
PN 16/40 DN 15 - 100**



Pos	Description	Pcs.	Material
1	Body	1	1.4408
2	Connection end	1	1.4408
3	Ball	1	1.4401
4	Ball seals	2	PTFE
5	Body seals	1	PTFE
6	Pressure ring	1	PTFE
7	Stem seals	1 Set	PTFE
8	Gland ring	1	1.4301
9	Compression gland	1	1.4301
10	Handle	1	1.4301
11	Connection well	1	1.4401
12	Handle coating	1	plastic
13	Secure ring	1	1.4301
14	steel washer	1	1.4301
15	Nut	1	1.4301
16	Bolt	1	1.4301
17	Nut	1	1.4301

	DN	Ø A	B	C	E	L	S	T	M
1/2"	15	15	23,60	36,93	133	40,00	2	12	M12
3/4"	20	20	32,00	40,47	133	44,00	2	14	M12
1"	25	25	35,00	40,55	133	53,00	2	16	M12
1 1/4"	32	32	42,30	53,69	228	58,40	2	14	M16
1 1/2"	40	38	47,30	57,33	228	62,00	3	15	M16
2"	50	50	52,55	64,19	228	78,00	3	18	M16
2 1/2"	65	64	80,00	71,27	315	100,00	3	16	M16
3"	80	76	90,00	87,16	315	120,00	3	16	M16
4"	100	96	111,00	103,15	315	152,00	3	16	M16

**Temperature range -10°C bis 200°C**  
(See Pressure/ Temperature-graph)

Copyright © Jlso Tec Trade