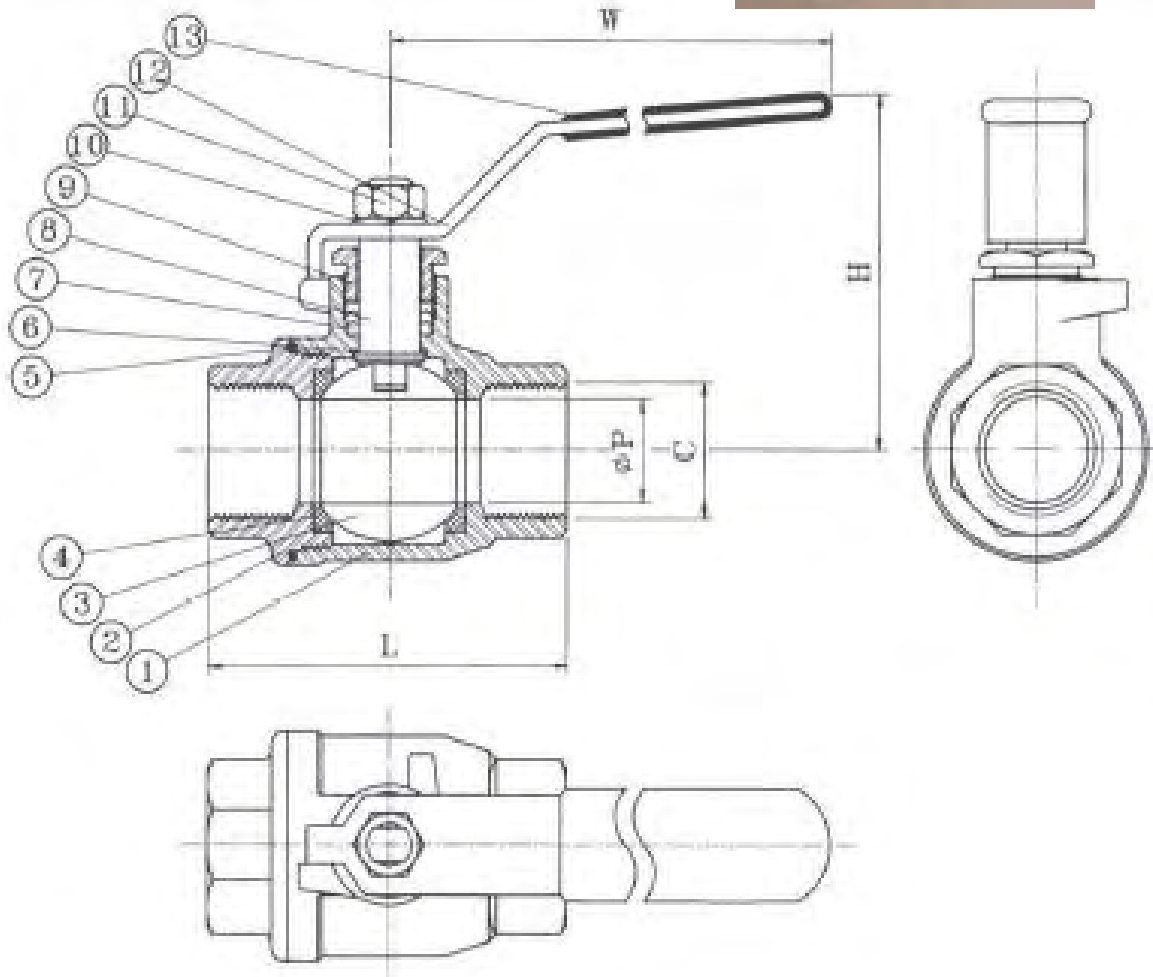


## Ball valve Stainless steel

Type KL- 401

2-piece-design, threaded connection,  
full bore,  
PN 63 DN 8- 80



Pos	Description	Pcs	Material
1	Body	1	1.4408
2	End body	1	1.4408
3	Ball	1	1.4401
4	Ball seals	2	PTFE verst.
5	Body seals	1	PTFE
6	Pressure ring	1	PTFE
7	Stem seals	1 Set	PTFE
8	Stem	1	1.4401
9	gland	1	1.4301
10	steel washer	1	1.4301
11	nut	1	1.4301
12	Handle	1	1.4301
13	Handle coating	1	platic

Dimensions, Weight, torques							
DN	C	P	L	H	W	G (kg)	D (Nm)
8	1/4"	11,6	54	50	97,5	0,25	7
10	3/8"	12,7	54	50	97,5	0,25	7
15	1/2"	16	68	53	125,5	0,4	7
20	3/4"	20	76	64	125,5	0,5	7
25	1"	25	88	66	143,5	0,9	11
32	1 1/4"	32	98	79	143,5	1,6	13
40	1 1/2"	38,1	120	83	203,5	2,3	21
50	2"	50,8	134	94	203,5	3,6	29
65	2 1/2"	65	164	136	250	7,2	53
80	3"	80	181	149	250	10,8	61

Temperature Range **-20°C bis 200°C**

(See Pressure-/Temperature sheet)

Copyright © Jlso Tec Trade