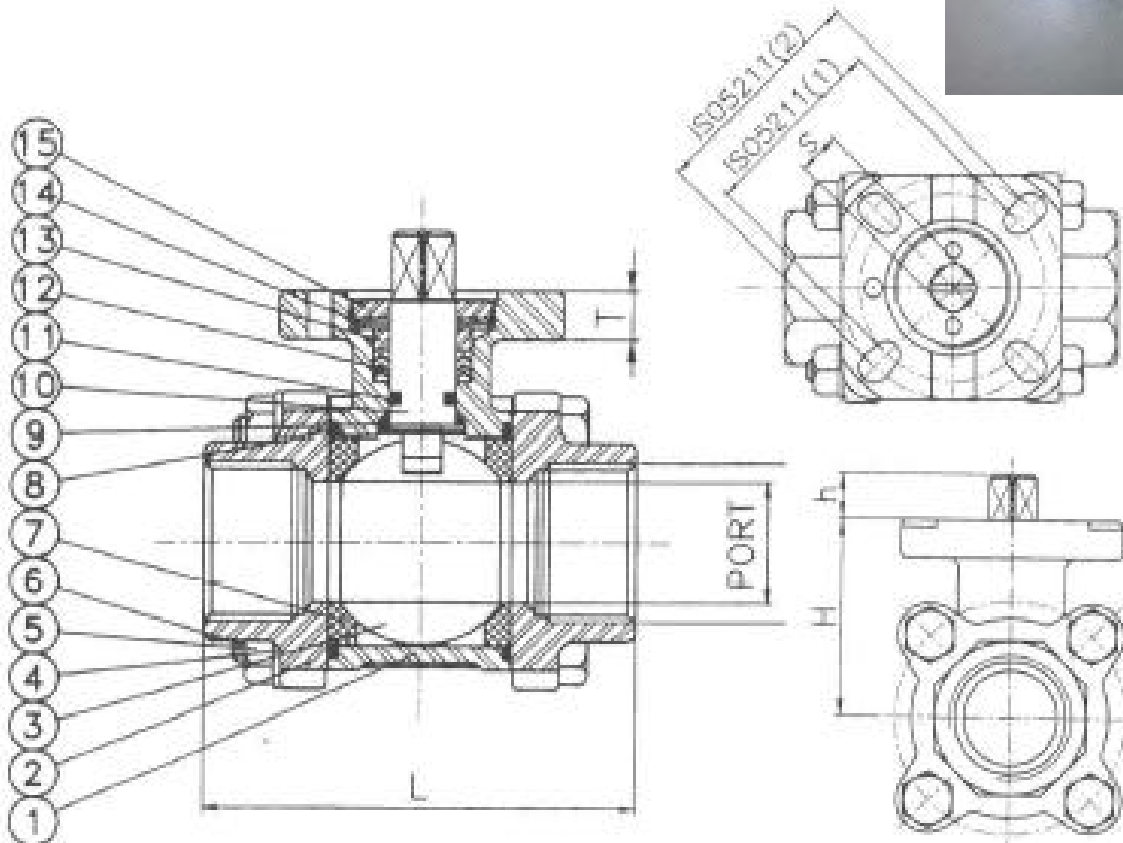


Ball valve Stainless steel

Type KL- 521 T

3-piece-design acc. DIN/ISO mounting Pad with threaded connection
 PN 63 DN 1/4" - 4"



Pos	Description	Pcs	Material
1	Body	1	1.4408
2	End body	2	1.4408
3	Ball	1	1.4401
4	steel washer	4 - 12	1.4301
5	Nut	4 - 12	1.4301
6	Bolt	4 - 12	1.4301
7	Ball seals	2	PTFE verst.
8	Body seals	2	PTFE
9	Pressure ring	1	PTFE
10	Connecting well	1	1.4401
11	O- Ring	1	Viton
12	Stem seals	3	PTFE
13	Gland	1	1.4301
14	spring	2	spring steel
15	Nut	1	1.4301

L acc. DIN 3202- M3

Dimensions (mm)									
	PORT	L	H	h	S	T	P	Nm	ISO 5211
1/4"	10	60	40	7	9	9	DIN2999 Rp(1/4)	5	F03 PCD36 Ø6x4 F04 PCD42 Ø6x4
3/8"	12	60	40	7	9	9	DIN2999 Rp(3/8)	5	F03 PCD 36 Ø6x4 F04 PCD42 Ø6x4
1/2"	16	75	40	7	9	9	DIN2999 Rp(1/2)	7	F03 PCD36 Ø6x4 F04 PCD42 Ø6x4
3/4"	20	80	44	9	9	9	DIN2999 Rp(3/4)	9	F03 PCD36 Ø6x4 F04 PCD42 Ø6x4
1"	25	90	52	12	11	10	DIN2999 Rp(1)	13	F04 PCD42 Ø6x4 F05 PCD50 Ø7x4
1 1/4"	32	110	58	12	11	10	DIN2999 Rp(1 1/4)	20	F04 PCD42 Ø6x4 F05 PCD50 Ø7x4
1 1/2"	40	120	68	16	14	13	DIN2999 Rp(1 1/2)	28	F05 PCD50 Ø7x4 F07 PCD 70 Ø9x4
2"	50	140	77	16	14	13	DIN2999 Rp(2)	37	F05 PCD50 Ø7x4 F07 PCD 70 Ø9x4
2 1/2"	65	185	98	19	17	13	DIN2999 Rp(2 1/2)	49	F07 PCD 70 Ø9x4 F10 PCD102 Ø11x4
3"	80	205	110	19	17	13	DIN2999 Rp(3)	54	F07 PCD 70 Ø9x4 F10 PCD102 Ø11x4
4"	100	240	138	24	22	20	DIN2999 Rp(4)	62	F10 PCD102 Ø11x4

Temperature range -20°C bis 200°C
 (See Pressure-/ Temperature sheet)

Copyright © Jlso Tec Trade