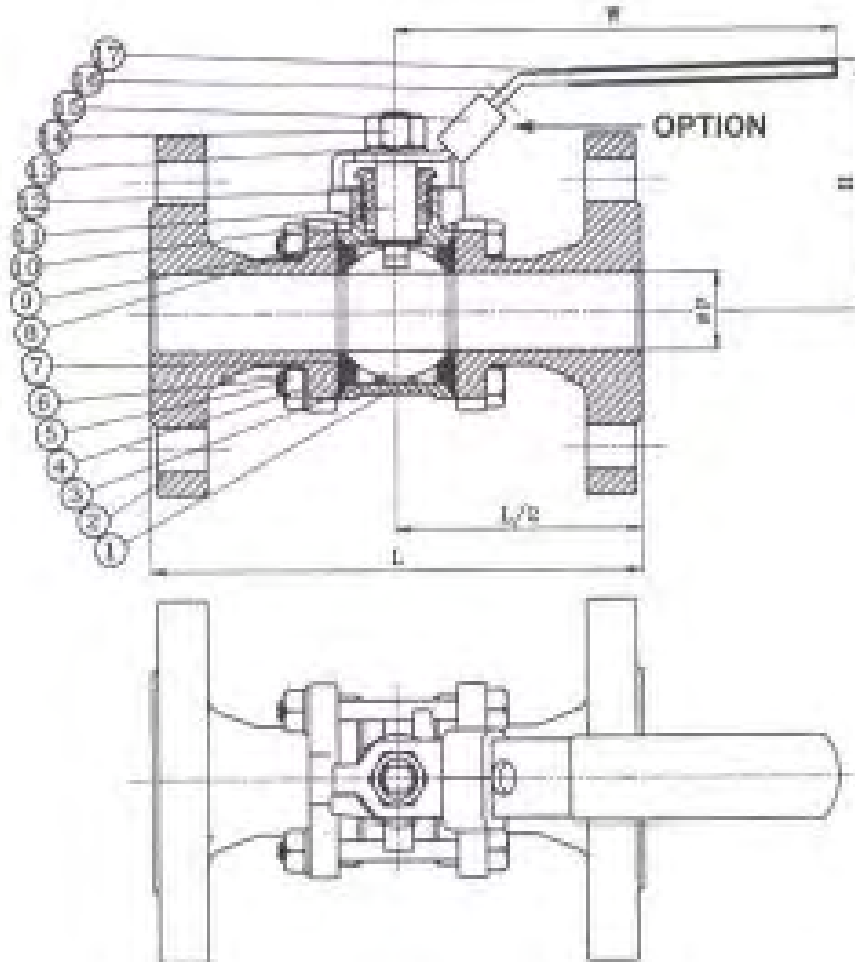


Ball valve Stainless steel

Type KL- 540 F

3-piece-design with flange, full bore

PN 40 DN 15- 100



Pos	Description	Pcs	Material
1	Body	1	1.4408
2	End body	1	1.4408
3	Ball	1	1.4401
4	steel washer	4 - 12	1.4301
5	Nut	4 - 12	1.4301
6	Bolt	4 - 6	1.4301
7	Ball seals	2	PTFE
8	Body seals	2	PTFE
9	Pressure ring	1	PTFE
10	Stem seals	1 Satz	PTFE
11	Connecting well	1	1.4401
12	Gland	1	1.4301
13	steel washer	1	1.4301
14	Nut	1	1.4301
15	locking-device	1	1.4301 (optional)
16	Handle	1	1.4301
17	coating	1	plastic

Dimensions, Weight, torques						
DN	P	L	H	W	G (kg)	D (Nm)
15	16	130	84	146,5	2,45	7
20	20	150	87	146,5	3,5	11
25	25	160	93	153,5	4,7	18
32	32	180	99	153,5	5,9	23
40	38,1	200	114	217,5	7,8	29
50	50,8	230	122	217,5	11,3	37
65	65	290	150	251,5	16,9	58
80	80	310	161	251,5	23,9	69
100	100	350	180	291,5	34,9	92

construction length acc. DIN 3202 F1
Flange acc. DIN 2519 – PN 40

Temperature range –20°C bis 200°C
(See Pressure-/Temperature sheet)